

## 100W HIGH BAY LIGHT

### 100W LED HIGH BAY LIGHT

Wireless PWM Dimmable -- Powered by EasyGo™ Smart Lighting

ITEM		PARAMETER
Input Voltage		AC220V-240V
Frequency Range		50Hz-60Hz
Power Factor		>0.95
Power Efficiency		>92%
Rated Power		100W
Initial Flux*	WW/NW/CW	14000 Lm
CCT	WW	3000K
	NW	4000K
	CW	5000K
CRI	WW/NW	Ra>75
	CW	Ra>70
Beam Angle		60°/90°/120°
Working Temperature		-20 +45
Storage Temperature		-25 ~ +65 (25 )
IP Grade		IP65
Working Life-span		50000H
Power Line		1.0mm <sup>2</sup>
Wire Connection	Brown	L
	Blue	N
	Yellow/Green	G
Weight		4.2Kg
Color of Lamp Shell		Black

#### VARIATIONS

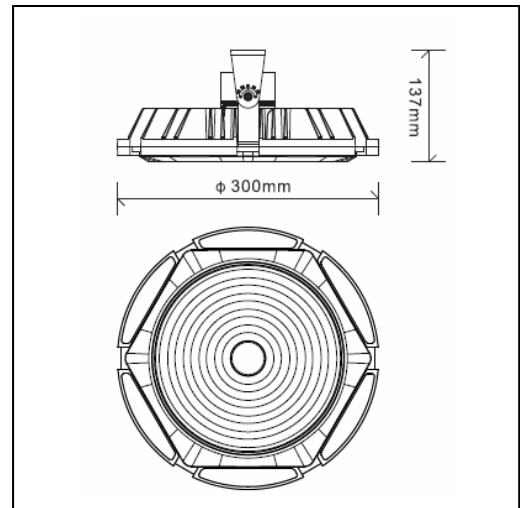
- [RS-HBL-100W-D-WW](#)      ➤ [RS-HBL-100W-D-NW](#)
- [RS-HBL-100W-D-CW](#)

\*Improves with the development of LED Technology

\*\* -D: Wireless PWM Dimmable



Dimensions



Light Distribution

